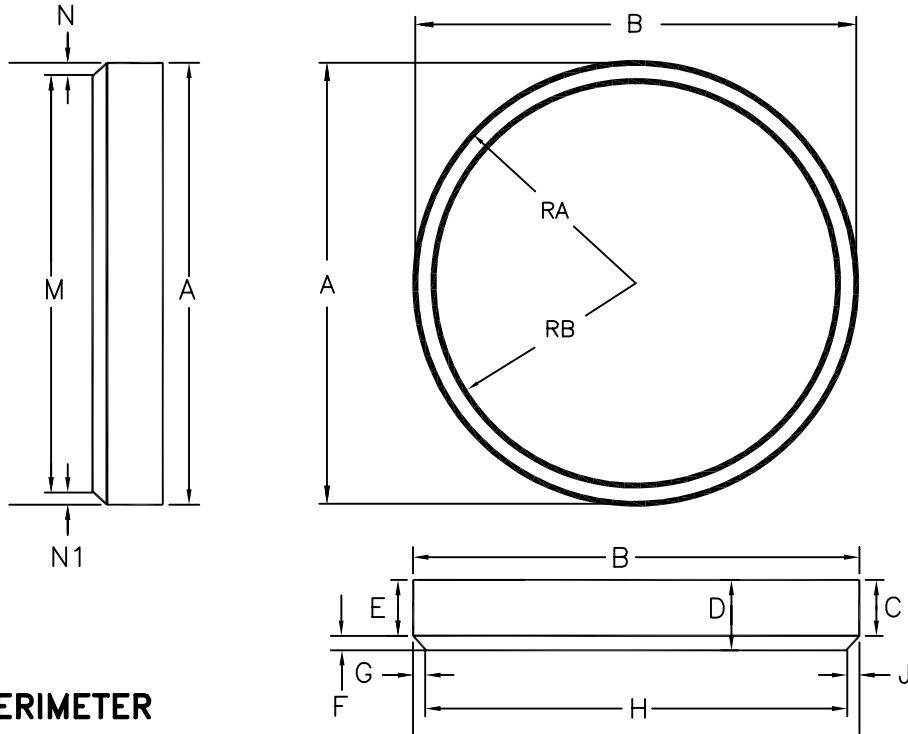


SOLD TO:		SHIP TO:	
ADDRESS:		ADDRESS:	
CITY/PROV:		CITY/PROV:	
POSTAL CODE:		POSTAL CODE:	
PH:	FAX:	PH:	CONTACT:
DATE REQUIRED:	PO:	TAG:	SHIP VIA:



DIMENSIONS

A	
B	
B5	
C	
D	
E	
F	
G	
H	
J	
M	
N	
N1	
RA	
RB	
DIAG #1	
DIAG #2	

PERIMETER

A EW STYLE	B LARGE J-HOOK STYLE	C SMALL J-HOOK STYLE	D STD. ABOVE GROUND STYLE	E INGROUND STYLE

BEAD STYLE <input type="checkbox"/> (SEE ABOVE FOR BEAD STYLES)	PATTERN	
	PRINT: _____ GAUGE _____ WALL TILE _____ GAUGE _____ BOTTOM _____	OVERLAP _____" (INCHES)

SPECIAL OPTIONS: (REFER TO OPTIONS SECTION FOR MORE DETAIL)

<input type="checkbox"/> VINYL COVER STEPS	<input type="checkbox"/> SAFETY LEDGE	<input type="checkbox"/> SHALLOW END COVE/DEEPER BREAKOFF	<input type="checkbox"/> NON-VINYL COVER STEP REFER TO C POINT SHEETS
<input type="checkbox"/> CONCAVE/CONVEX SLOPES	<input type="checkbox"/> WHITE STRIPE IN SHALLOW END	<input type="checkbox"/> CURVED SHALLOW END BREAKOFF LINE	

COMMENTS:

SHT# A\G-ROUND 81