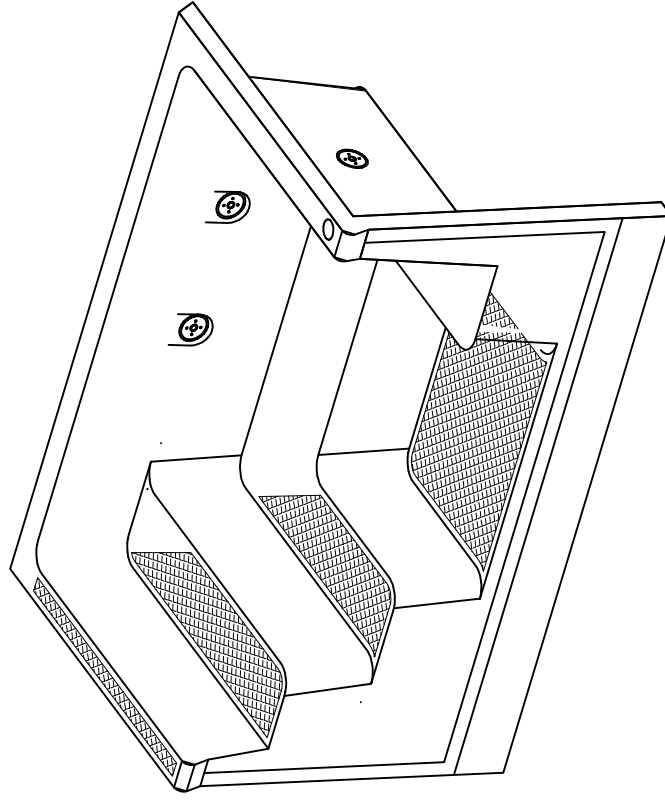
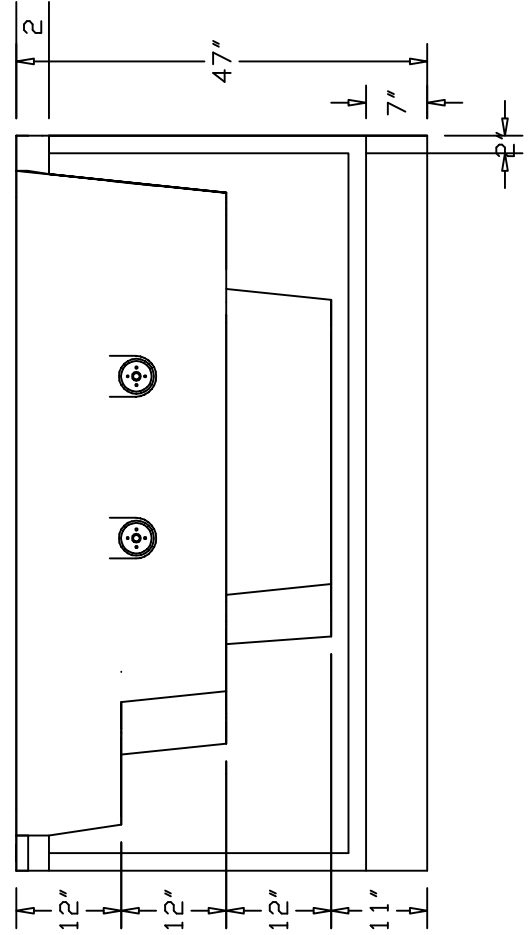


3 - Jets.  
1 - AirControl

PART NUMBERS	DESCRIPTION
STP-CFG-WS-7-L	STEP LOUNGER PLUMBED WHITE
STP-CFG-WS-7-L-U	STEP LOUNGER UN - PLUMBED WHITE
STP-CFG-WS-7-L-PF	STEP LOUNGER PLUMBED AND FOAMED WHITE
FOR 42" WALL POOL KITS TTL-8 package RECOMMENDED	



**EACH TREAD MUST  
BE SUPPORTED.**



A HANDRAIL IS RECOMMENDED TO BE INSTALLED WITH EVERY STEP.

PAGE: 25



**TRIAC** Pool Products

**LATHAM SPLASH CANADA INC.**  
430 Finley Avenue, Ajax, ONTARIO, CANADA L1S 2E3  
fax: (905) 683-0708 tel: (905) 428-6990 email: cusiserv@triac.com