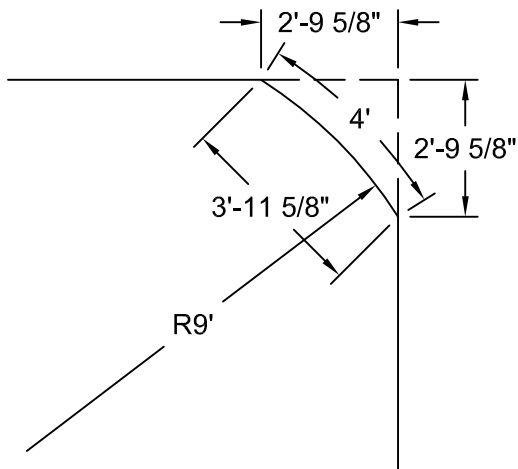
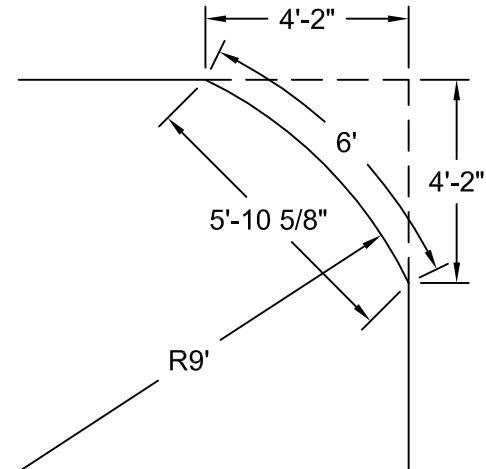


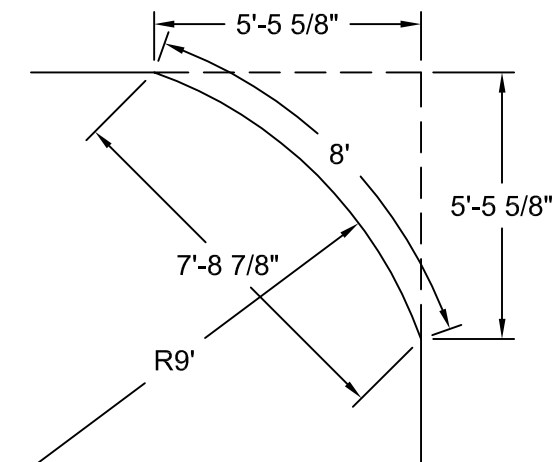
CORNER MODIFICATIONS FOR IN-WALL STEPS



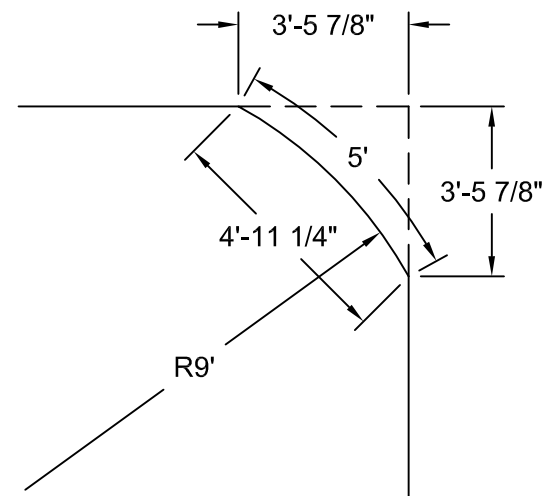
IWS-4-9
IWS-4C



IWS-6-9



IWS-8-9



IWS5LS
(LAGOON)